



# Chartered Engineers Pacific (CEP)

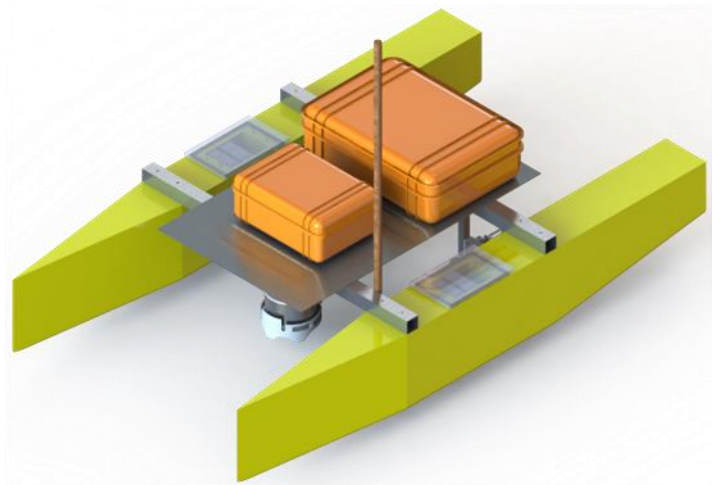
NOTICE OF EVENING PRESENTATION  
**Wednesday, 27 April 2016, 7 to 9 pm**

**Venue:** Accent Inns, Burnaby  
3777 Henning Drive, Burnaby V5C 6N5 Tel: 604-473-5000

## Topic - Designing and Manufacturing of an Autonomous Surface Vehicle for bathymetry surveying

A team of UBC mechanical engineering students will be presenting their **Capstone Project** on designing and manufacturing a cost-effective autonomous surface vehicle for bathymetry surveying. Their presentation will include:

- Introduction to UBC and the CAPSTONE course
- Background of the ASV project
- ASV design methodology and rationale
- Small scale ASV prototyping
- ASV manufacturing process
- ASV validation and verification
- Final ASV specifications and results
- Conclusion



The presenting team:

**Jaclyn Tarnai, Graham Williamson, David Wong, and Yiran Zhou.**

**CEP actively supports the Capstone program for engineering students at UBC and is pleased to share some of the exciting results with our members and guests in this presentation.**



## Team Biographies

### Jaclyn Tarnai

Jaclyn Tarnai is a Mechanical Engineering student in the Mechatronics option. She has experience in project management, mechanical and electrical design, and maintenance projects while working for Small Craft Harbours, Advanced Cyclotron Systems Inc., and Pacific Rim Engineered Projects.



### Graham Williamson



Graham Williamson is a Mechanical Engineering student in the Mechatronics option. He has mechanical design, project management and extensive CAD drafting experience from experience working at Tolko Industries Ltd. Canadian Natural Resources Ltd. and R.J. Burnside and Associates Ltd. Last year, he was the chassis sub-team leader for the human-powered vehicle team at UBC.

### David Wong

David Wong is a Mechanical Engineering student in the Mechatronics option. He has past experience with mechanical design, research, and manufacturing from working at Sierra Wireless, OceanWorks International, JFE Steel Research Laboratory, Vanrx Pharmasystems Inc.



### Yiran Zhou



Yiran Zhou is a Mechanical Engineering student in the Mechatronics option. He has programming, mechanical design, project coordination, testing, and data analysis experiences through various course projects and through co-op work positions with fuel cell companies such as BIC and Ballard Power Systems.

### **No Registration Required:**

**50 seats are available, *first-come-first seated*.** This event is provided **free of charge**, includes a coffee/snacks table and welcomes all interested **members and guests**.

***Excellent opportunity to network among multi-discipline engineers and others!***